

# eLucent™

## DL Series LED Downlights

### Family Model

eLucent LED Downlight 3"

eLucent LED Downlight 4"

eLucent LED Downlight 6"



eLucent™ DL Series LED Downlights are energy-efficient LED recessed retrofits designed to replace conventional halogen and compact fluorescent (CFL) lights. They are widely used in hospitality, as well as in commercial, and residential locales.

eLucent™ DL Downlights achieve a superlative luminous efficacy of 75lm/W through the utilization of ultra-bright SMD LEDs and reflective materials innovated by Japanese companies. Using the current design, junction temperature also remains excellent, at under 50 centigrade thanks to a highly effective heat sink design.

With piano style paint work and frosted anti-glare lenses, eLucent™ DL Downlights project an elegant air, while providing light that is comfortable to the eyes. They can ONLY be used for dry wall installation with spring-loaded clips and do not fit into recessed cans.

eLucent™ DL Downlights come with reliable constant-current external drivers which guarantee reliable and excellent electrical performance. They are available in three dimensions: the eLucent™ DL3 fits into 3 inch fittings; the eLucent™ DL4 fits into 4 inch fittings; and eLucent™ DL6 fits into 6 inch fittings. All models are ETL Listed, ETL No.: 4003329.

### Performance Summary

Power consumption: 7.5W, 14W, 18W

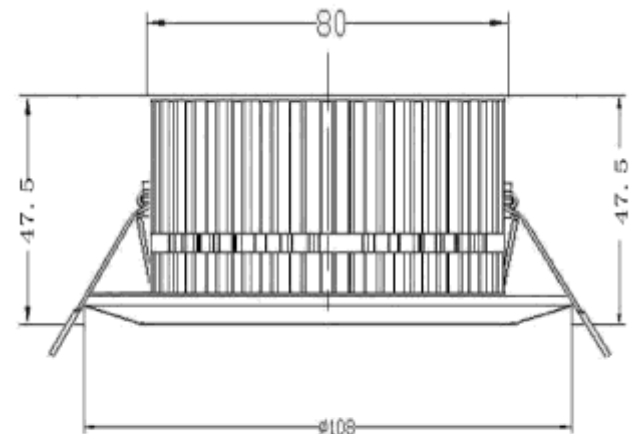
Lumens: 560 lm, 1050 lm, 1450 lm

CCT: 3000 K, 4000 K, 6000 K

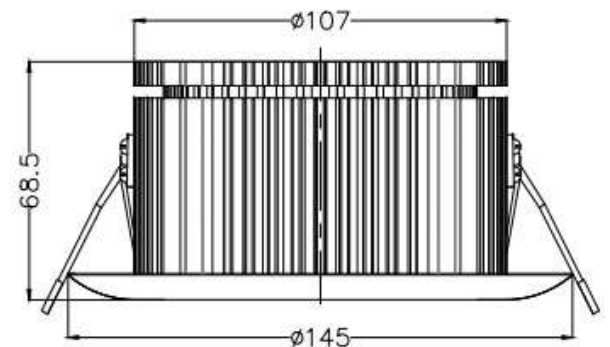
CRI: >75

### Recommended Applications

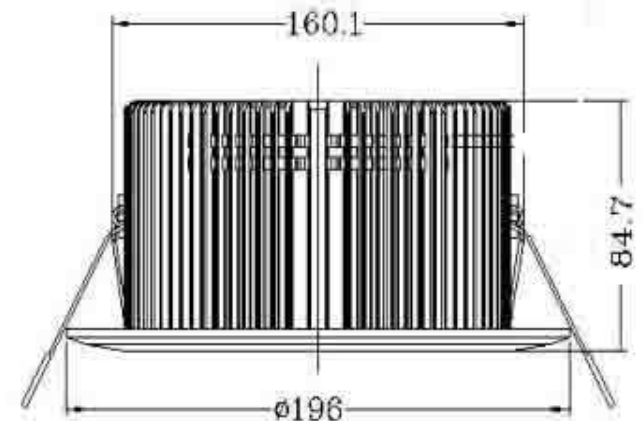
Widely used in hospitality, as well as in commercial, and residential locales



DL3



DL4



DL6

Unit: mm



www.atgelectronics.com Toll free: 877-461-5333



ATG ELECTRONICS

## Ordering Information

Typical Order Example: DLDW06L3600000

SERIES	STANDARD	SIZE	VOLTAGE	CCT	OPTION A	OPTION B
DL=Downlight	DW=Dry Wall	03=3" 04=4" 06=6"	HU=100-277V	30=3000K 40=4000K 60=6000K	00=Default	00=Default

## Product Specifications

CONSTRUCTION & MATERIALS			
Type	eLucent DL3	eLucent DL4	eLucent DL6
Dimension	D108*H47.5 mm (D4.25*H1.87 inch)	D145*H68.5 mm (D5.71*H2.70 inch)	D196*H84.7 mm (D7.72*H3.33 inch)
Housing	Die-cast aluminum		
Lens Type	Frosted		

ENVIRONMENTAL SYSTEM	
Work Environment	Only suitable for dry wall installation, not fit into recessed cans
Operating Temperature	-10-50°C (14-122°F)

OPTICAL SYSTEM			
Type	eLucent DL3	eLucent DL4	eLucent DL6
Luminous Flux	560 lm	1050 lm	1450 lm
Luminous Efficacy	75 lm/W		
Color Temperature	3000 K, 4000 K, 6000 K		
CRI	>75		
Beam Angle	120°		

ELECTRICAL SYSTEM			
Type	eLucent DL3	eLucent DL4	eLucent DL6
Power Consumption	7.5W	14W	18W
Input Voltage	100-277VAC		
Power Factor	0.95		

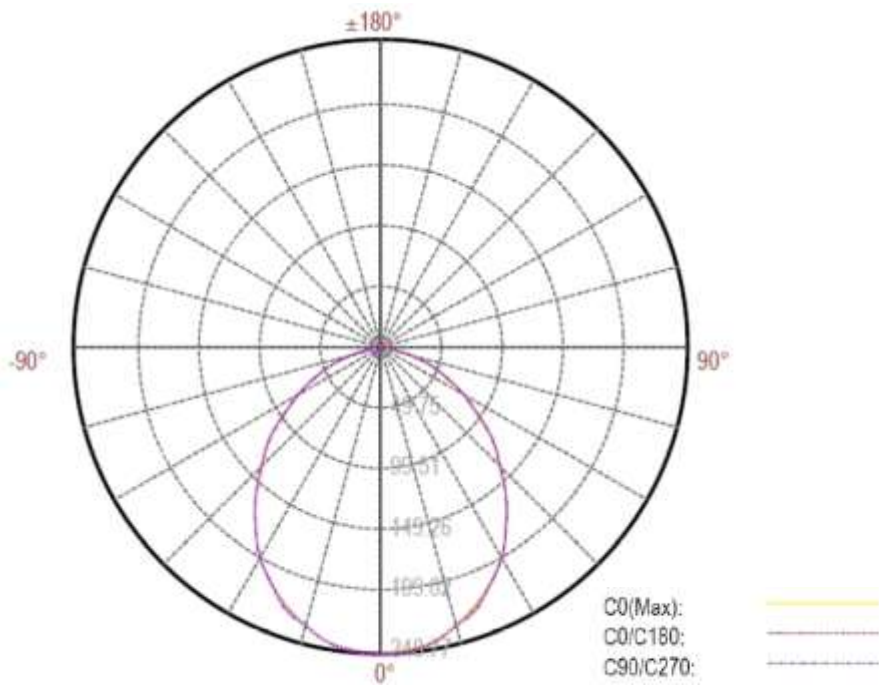
REGULATORY & VOLUNTARY QUALIFICATIONS	
ETL	
FCC	
IES File	
CE, RoHS	



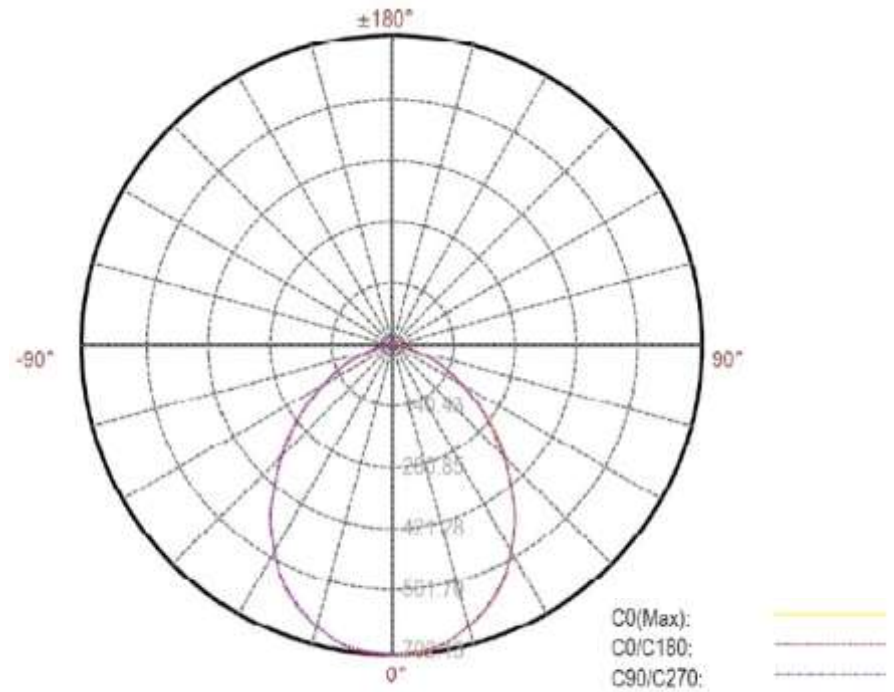
# Photometric

## Luminous Intensity Distribution Diagram (UNIT: cd)

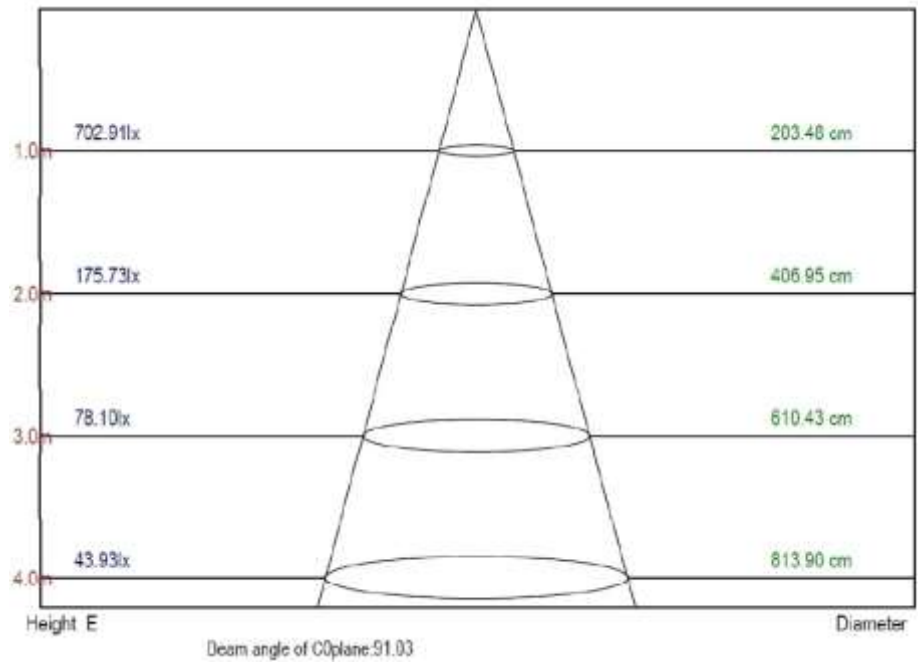
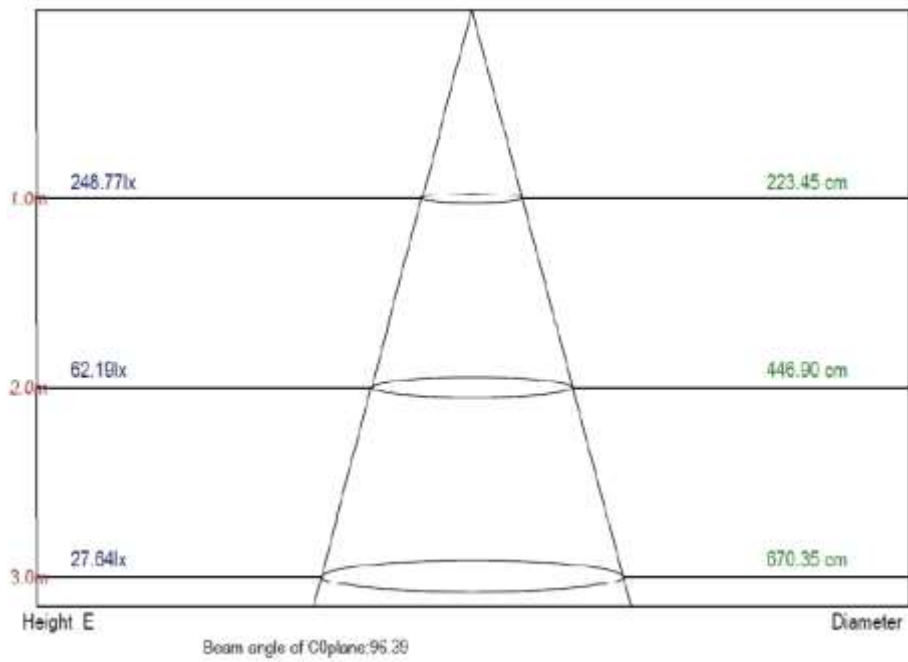
DLDW03L3600000



DLDW06L3600000



# AAI Figure





ETL FC CE RoHS

www.atgelectronics.com Toll free: 877-461-5333



ATG ELECTRONICS

# USER GUIDE

## NOTE

Please read this entire manual to fully understand and safely use this product.

Specifications are subject to change without notice.

Please visit [www.atgelectronics.com](http://www.atgelectronics.com) for the most recent user guide versions.

## INCLUDED IN THIS BOX

ATG Electronics® eLucent™ DL Series LED Downlight, 1 PCs

Driver Box (with power supply included in), 1PCs

Wire Nuts, 3 PCs

User Guide, 1 Set

## UNPACKING

- 1) Unpack and carefully examine the product.
- 2) Report any damage and save all packing materials if any part(s) were damaged during shipping.
- 3) Do not attempt to use this apparatus if it is damaged.

## INSTALLATION INSTRUCTIONS

- 1) CONSULT A QUALIFIED ELECTRICIAN TO ENSURE CORRECT BRANCH CIRCUIT CONDUCTOR.
- 2) The product should be installed and operated by a qualified electrician or technician in accordance with relevant local codes.
- 3) Risk of electric shock. Ensure that main power source is off when wiring or soldering the sections of the product.

## MAINTENANCE

- 1) Disconnect the product from the power supply prior

to cleaning.

- 2) Use a dry or slightly moistened cloth for cleaning.
- 3) Never use any chemicals or abrasive materials for cleaning.

## INSTALLATION CONSIDERATIONS

- 1) The product must be AT LEAST 0.2 m distant from any flammable materials.
- 2) The product must not be installed into ceilings or walls that contain heat-insulating materials.
- 3) The product can ONLY be used for dry wall installation and do not fit into recessed cans.

## INSTALLATION STEPS

- 1) Turn off main power before installation.
- 2) Drill a hole of appropriate size in the ceiling.

Model	Hole Diameter (mm)
eLucent™ LED Downlight 3"	Ø94±2
eLucent™ LED Downlight 4"	Ø121±2
eLucent™ LED Downlight 6"	Ø173±2

- 3) Connect the input and ground wires (bare end) of the driver box to the main power outlet.
- 4) Connect the LED downlight to the corresponding connector on the output wires of the driver box.
- 5) Move the spring clips upward and push the LED downlight into the ceiling hole.



# INSTALLATION DIAGRAM

