



# eLucent™ CP Series LED Canopy

## Family Model

CPPG40  
CPPG60  
CPPG90

## Product Description

eLucent™ CP Series LED Canopy is an environmentally preferable, cost-effective, maintenance-free alternative to traditional lighting.

The heavy-duty, cast aluminum, one-piece housings are polyester powder coated, protected from rust and corrosion, sealed free of dirt and bugs, and crafted with a shock proof and UV-resistant polycarbonate lens.

eLucent™ CP Series LED Canopy adopts high luminous efficacy SMD LEDs. They are available in 40 watts, 60 watts and 90watts.

With superior 60%+ energy savings, compared to halogen lamp or a metal halide lamp, eLucent™ CP90 provides up to a superlative luminous flux of 7600 lm and only consumes approximate 90 watts.

eLucent™ CP Series LED Canopy is extremely durable and maintain virtually all their luminosity for the 68,000 hours life, significantly reducing replacement and maintenance costs.

## Performance Summary

Power consumption: 40W, 60W, 90W

Lumens: 3400 lm, 5100 lm, 7650 lm

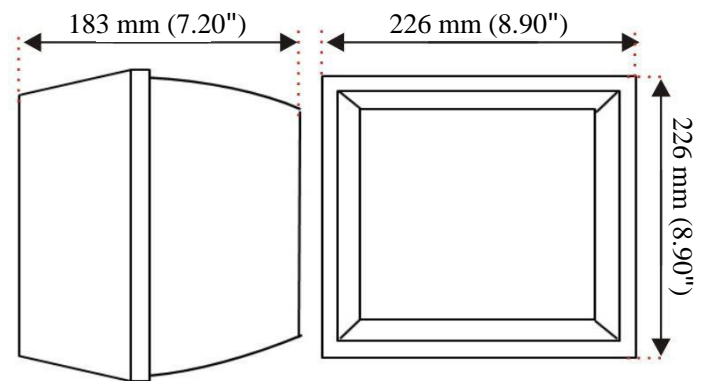
CCT: 5000 K

CRI: >80

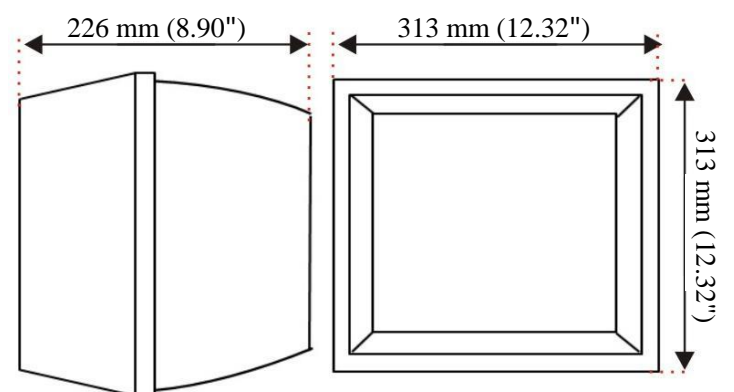
L70: 68,000h 94,000h 60,000h

## Recommended Applications

Shopping mall, petrol station, parking lots, warehouses, security lighting, exhibition halls, and storage areas.



CP40



CP60, CP90



www.atgelectronics.com Toll free: 877-461-5333 E-mail: sales@atgelectronics.com



ATG ELECTRONICS

## Ordering Information

Typical Order Example: CPPG60HU500000

SERIES	APPLIACTION	WATT	VOLTAGE	CCT	DIMMING	OPTION
CP=Canopy	PG=Parking Garage GS=Gas Station	40=40W 60=60W 90=90W	HU=100-277VAC	50=5000K 40=4000K	00=non-dimming	00=Default

## Product Specifications

CONSTRUCTION & MATERIALS			
Type	CPPG40	CPPG60	CPPG90
Dimension	226 *226 *183 mm (8.90 *8.90 *7.20 inch)	313 *313 *226 mm (12.32 *12.32 *8.90 inch)	313 *313 *226 mm (12.32 *12.32 *8.90 inch)
Housing	Die-cast aluminum		
Lens Type	Acrylic Diffuser		

ENVIRONMENTAL SYSTEM	
Work Environment	Indoor and outdoor use
Operating Temperature	-20°C~50°C(-4~122°F)
IP Rating	IP65

OPTICAL SYSTEM			
Type	CPPG40	CPPG60	CPPG90
Luminous Flux	3400 lm	5100 lm	7650 lm
Luminous Efficacy	Typ. 85 lm/W		
Color Temperature	5000 K		
CRI	>80		
Lumen maintenance at 6000h	>95%		

ELECTRICAL SYSTEM			
Type	CPPG40	CPPG60	CPPG90
Input Voltage	100-277 VAC 50/60 HZ		
Power Consumption	40 W	60 W	90 W
Power Factor	>0.92		
THD	<20%		

REGULATORY & VOLUNTARY QUALIFICATIONS	
Design Lights Consortium	
ETL & cETL Listed (ETL No.: 4003329)	
CE, RoHS	

