



eLucent™ 200W LED highbay

Family Model: HBCC20

## Product Description

Excellent heat dissipation design. Less than 50C Temperature.

Light and tidy body design. No bulky heatsink. Total weight only 9KG.

Built with high end components: Nichia chip packaged by Citizen, Meanwell driver.

## Performance Summary

---

Input: 200W, 100~277VAC

---

Luminous efficacy: Typ. 90+lm/W

---

Lumens: 18,000 +lm

---

CCT: 5000K

---

Color Accuracy: CRI 70

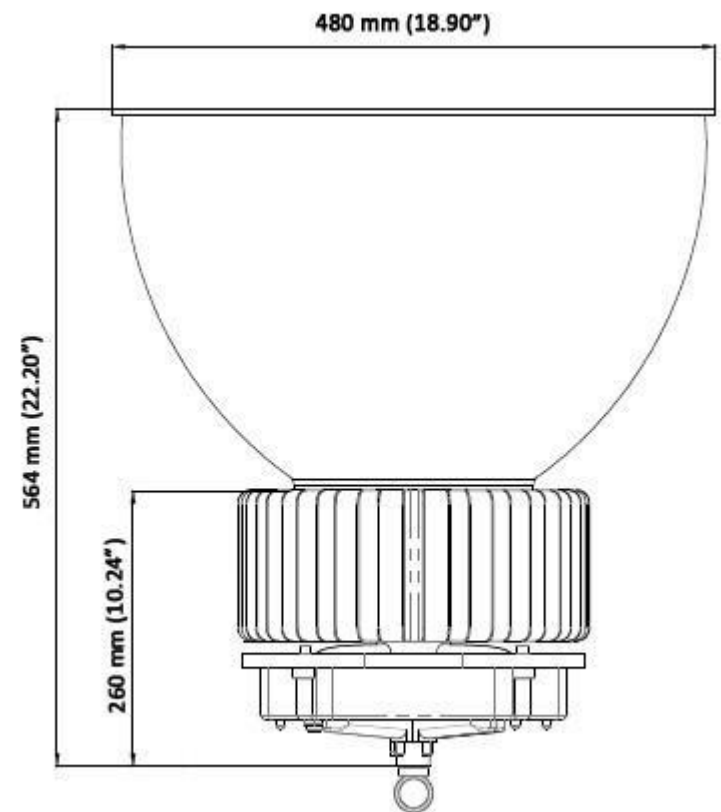
---

L70 lifetime: 95,000h

---

PF>0.95/ THD<10%

---



## Ordering Information

Typical Order Example: HBCC20HU500000

SERIES	SHAPE	WATT (x10)	VOLTAGE	CCT	OPTION A	OPTION B
HB=High Bay	CC=Circular	20=200W	HU=100-277VAC	50=5000K	00=Default	00=Default

## Product Specifications

### CONSTRUCTION & MATERIALS

Dimension	480*564 mm (18.90*22.20 inch)
Housing	Aluminum and PC
Finish Color	Black and Silver
Lens Type	Prismatic PC Reflector

### ENVIRONMENTAL SYSTEM

Work Environment	Indoor
Operating Temperature	-20~50°C (-4~122°F)

### OPTICAL SYSTEM

Luminous Flux	18,000+ lm
Luminous Efficacy	90 lm/w
Color Temperature	5000 K
CRI	70
Lumen maintenance at 6000h	98.89%

### ELECTRICAL SYSTEM

Input Voltage/Current	100~277VAC
Off State Power	0W
Power Consumption	200 W
Power Factor	>0.95
THD	<10%

### REGULATORY & VOLUNTARY QUALIFICATIONS

ETL & cETL Listed (ETL No.: 4003329)
DLC
CE, RoHS
UL/cUL, KEMA, and CE certified external driver
IES



# USER GUIDE

## NOTE

Please read this entire manual to fully understand and safely use this product.

Specifications are subject to change without notice. Please visit [www.atgelectronics.com](http://www.atgelectronics.com) for the most recent user guide versions.

## UNPACKING

- 1) Unpack and carefully examine the product.
- 2) Report any damage and save all packing materials if any part(s) were damaged during shipping.
- 3) Do not attempt to use this apparatus if it is damaged.

## INSTALLATION INSTRUCTIONS

- 1) CONSULT A QUALIFIED ELECTRICIAN TO ENSURE CORRECT BRANCH CIRCUIT CONDUCTOR.
- 2) The product should be installed and operated by a qualified electrician or technician in accordance with relevant local codes.
- 3) Risk of electric shock. Ensure that main power source is off when wiring or soldering the sections of the product.

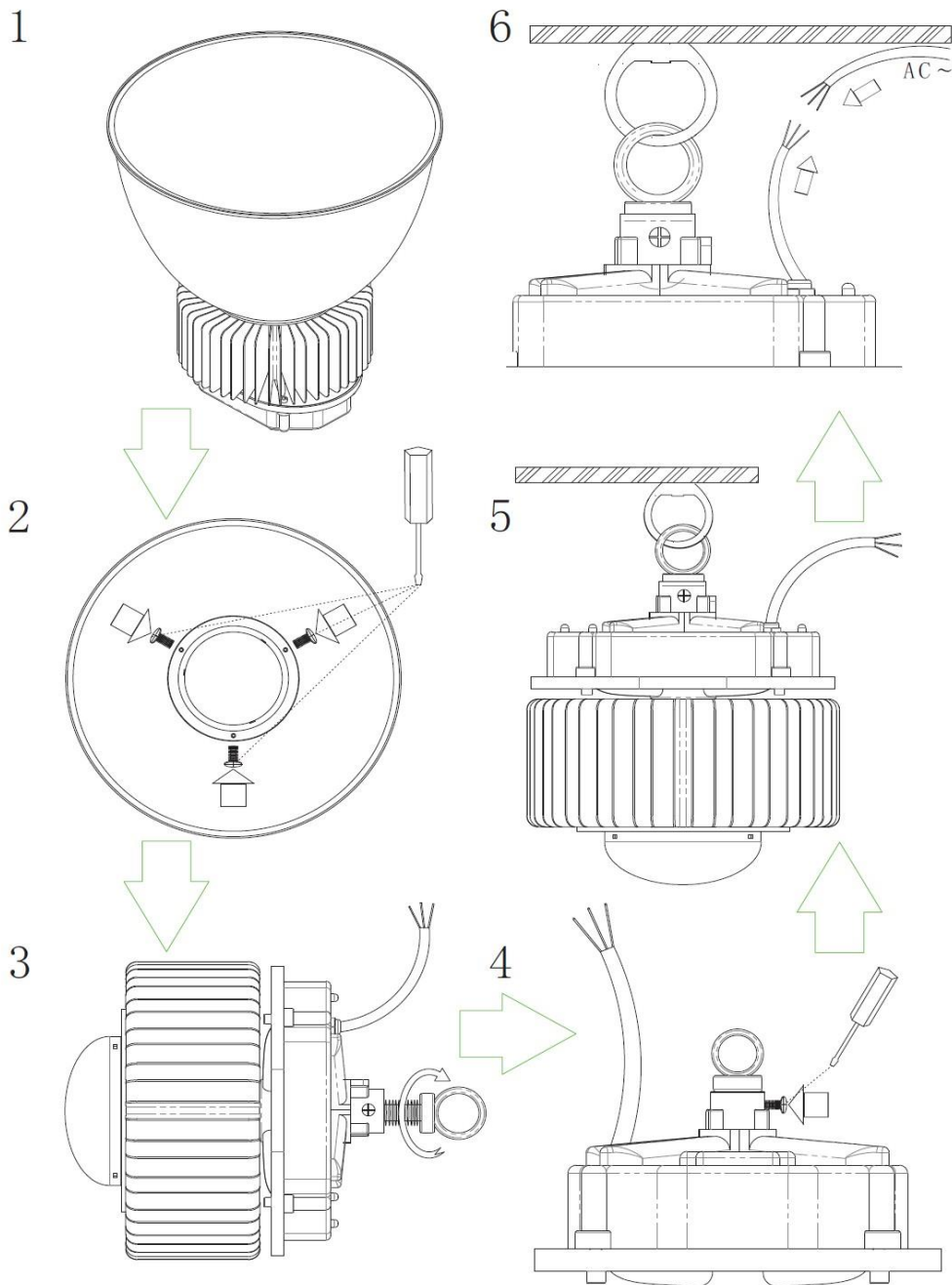
## MAINTENANCE

- 1) Disconnect the product from the power supply prior to cleaning.
- 2) Use a dry or slightly moistened cloth for cleaning.

## INSTALLATION STEPS

- 1) Attach the housing to the highbay body.
- 2) Tighten the housing fixed screws.
- 3) Screw the hanging ring to the highbay.
- 4) Tighten the hanging ring fixed screw. Make sure the hanging ring is properly tightened.
- 5) Hang up the highbay to the hook from the ceiling securely.
- 6) Connect input and ground wires of the highbay to the main power outlet.





lighting facts  
LED Product Partner

