



eLucent™ 150W LED highbay

Family Model: HBCC15

Product Description

Excellent heat dissipation design. Less than 50C Temperature.

Light and tidy body design. No bulky heatsink. Total weight only 7KG.

Built with high end components: Nichia chip packaged by Citizen, Meanwell driver.

Performance Summary

Input: 150W, 100~277VAC

Luminous efficacy: Typ. 85 lm/W

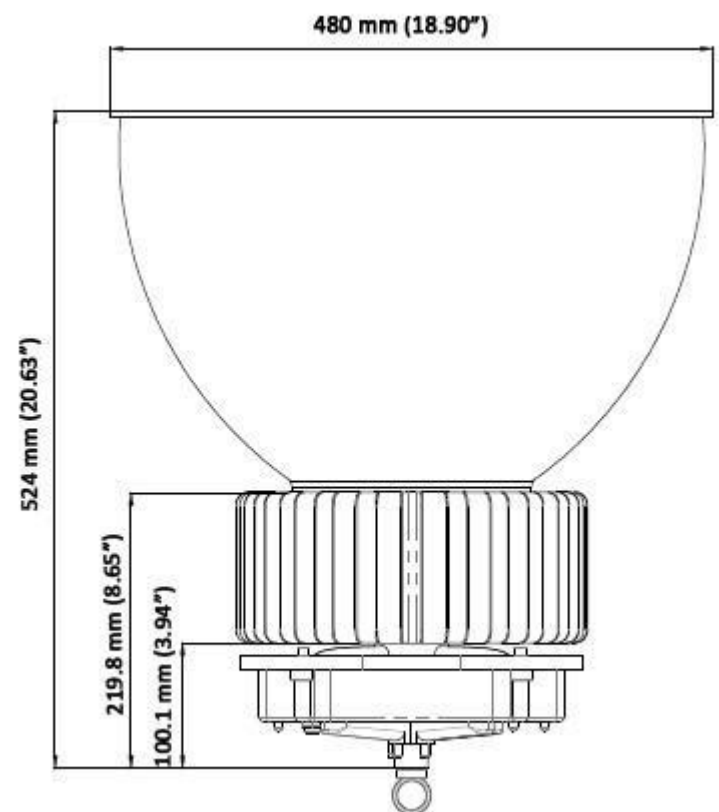
Lumens: 13,000 +lm

CCT: 5000K

Color Accuracy: CRI 70

L70 lifetime: 95,000h

PF/THD: >0.95/<10%



Ordering Information

Typical Order Example: HBCC15HU500000

SERIES	SHAPE	WATT (x10)	VOLTAGE	CCT	OPTION A	OPTION B
HB=High Bay	CC=Circular	15=150W	HU=100-277VAC	50=5000K	00=Default	00=Default

Product Specifications

CONSTRUCTION & MATERIALS	
Dimension	480*524 mm (18.90*20.63 inch)
Housing	Aluminum and PC
Finish Color	Black and Silver
Lens Type	Prismatic PC Reflector

ENVIRONMENTAL SYSTEM	
Work Environment	Indoor
Operating Temperature	-20~50°C (-4~122°F)

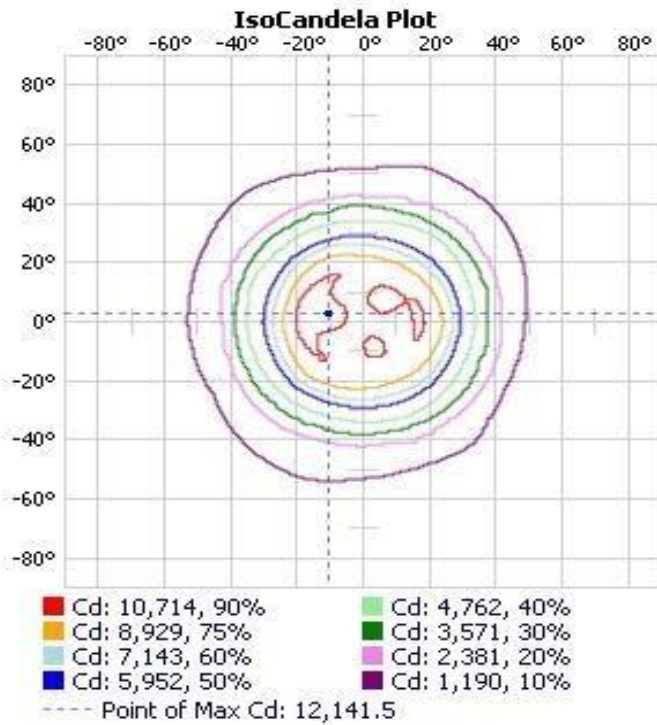
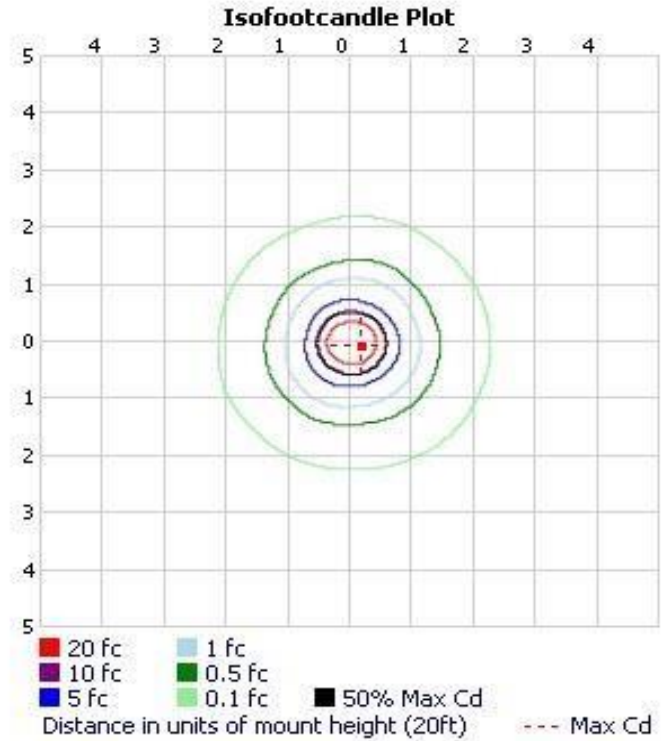
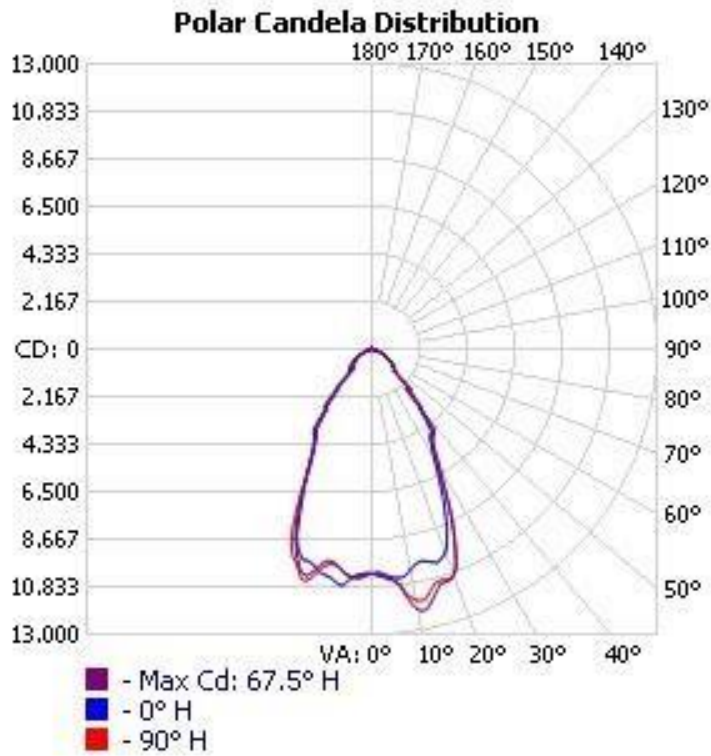
OPTICAL SYSTEM	
Luminous Flux	13,000+ lm
Luminous Efficacy	85 lm/w
Color Temperature	5000 K
CRI	70
Lumen maintenance at 6000h	98.89%

ELECTRICAL SYSTEM	
Input Voltage/Current	100~277VAC
Off State Power	0W
Power Consumption	150 W
Power Factor	>0.95
THD	<10%

REGULATORY & VOLUNTARY QUALIFICATIONS	
ETL & cETL Listed (ETL No.: 4003329)	
DLC	
CE, RoHS	
UL/cUL, KEMA, and CE certified external driver	
IES	



Photometric



Illuminance at a Distance

	Center Beam fc	Field Width	
4.0ft	639.4 fc	10.5 ft	9.9 ft
8.0ft	159.8 fc	21.0 ft	19.8 ft
12.0ft	71.0 fc	31.4 ft	29.7 ft
16.0ft	40.0 fc	41.9 ft	39.6 ft
20.0ft	25.6 fc	52.4 ft	49.5 ft

■ Vert. Spread: 105.3° ■ Horiz. Spread: 102.1°

USER GUIDE

NOTE

Please read this entire manual to fully understand and safely use this product.

Specifications are subject to change without notice. Please visit www.atgelectronics.com for the most recent user guide versions.

UNPACKING

- 1) Unpack and carefully examine the product.
- 2) Report any damage and save all packing materials if any part(s) were damaged during shipping.
- 3) Do not attempt to use this apparatus if it is damaged.

INSTALLATION INSTRUCTIONS

- 1) CONSULT A QUALIFIED ELECTRICIAN TO ENSURE CORRECT BRANCH CIRCUIT CONDUCTOR.
- 2) The product should be installed and operated by a qualified electrician or technician in accordance with relevant local codes.
- 3) Risk of electric shock. Ensure that main power source is off when wiring or soldering the sections of the product.

MAINTENANCE

- 1) Disconnect the product from the power supply prior to cleaning.
- 2) Use a dry or slightly moistened cloth for cleaning.

INSTALLATION STEPS

- 1) Attach the housing to the highbay body.
- 2) Tighten the housing fixed screws.
- 3) Screw the hanging ring to the highbay.
- 4) Tighten the hanging ring fixed screw. Make sure the hanging ring is properly tightened.
- 5) Hang up the highbay to the hook from the ceiling securely.
- 6) Connect input and ground wires of the highbay to the main power outlet.



