



eLucent™

Nebula LED Gas Station Canopy Light

Product Description

eLucent™ Nebula LED Gas Station Canopy is a state-of-the-art LED luminaire designed for Gas station canopy lighting.

With its incredible 95+ lumens per watt efficiency, it outperforms most LED luminaires and thus generates even more saving.

Nebula has surface mount low profile body that allows it to integrate into canopy ceiling beautifully.

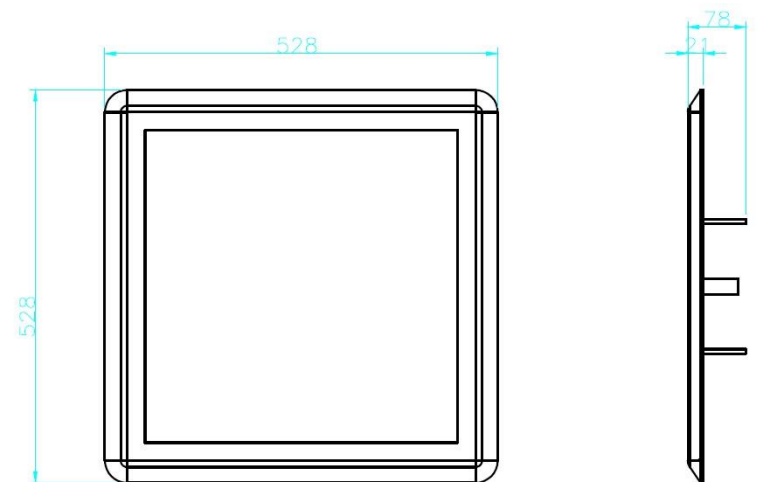
With our ingenious mounting design, Nebula can be installed into both single skin and double skin canopies.

Family Model

RC100W5K-GS

RC120W5K-GS

RC150W5K-GS



Performance Summary

Input: 100~277VAC

Luminous efficacy: Typ. 95+ lm/W

Lumens: 9600lm~14,000lm

CCT: 5000 K

Color Accuracy: CRI> 80

L70 lifetime: 100,000h

PF>0.95, THD<10%



www.atgelectronics.com Toll free: 877-461-5333 E-mail: sales@atgelectronics.com



ATG ELECTRONICS

Product Specifications

Photometric Performance			
Model	RC100W5K-GS	RC120W5K-GS	RC150W5K-GS
Luminous Flux	9600lm	11500lm	14000lm
Luminous Efficacy	95+ lm/W		
Color Temperature	5000 K		
CRI	>80		
Lumen maintenance at 6000h	>95%		

Electrical Performance			
Input Voltage	100-277 VAC 50/60 HZ		
Power Consumption	100W	120W	150W
Power Factor	>0.92		
THD	<20%		
Dimming	0~10V continuous dimming		

Construction & Materials	
Dimension	528 *528 *78 mm (20.79 *20.79 *3.07 inch)
Housing	Extrusion Aluminum
Lens Type	Frosted Acrylic Lens

Working Environment	
Work Environment	Indoor and outdoor use
Operating Temperature	-20°C~50°C (-4~122°F)

